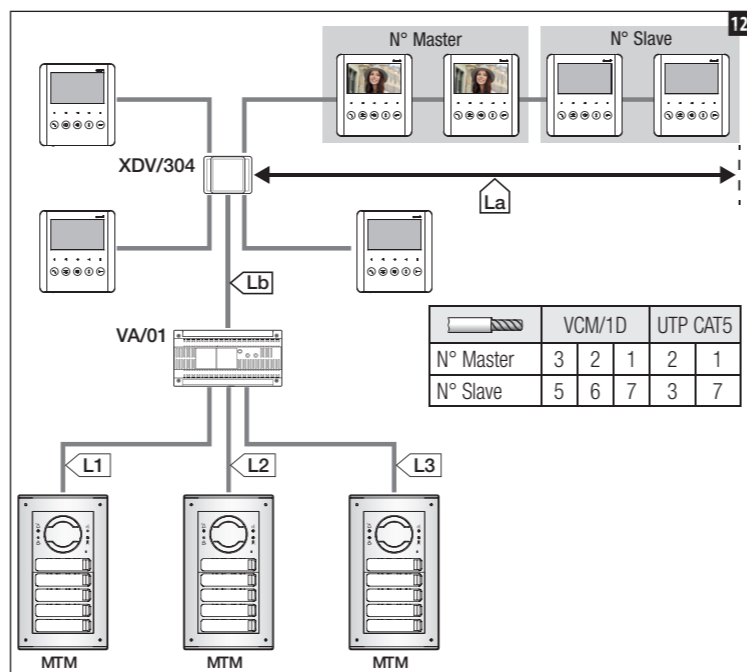
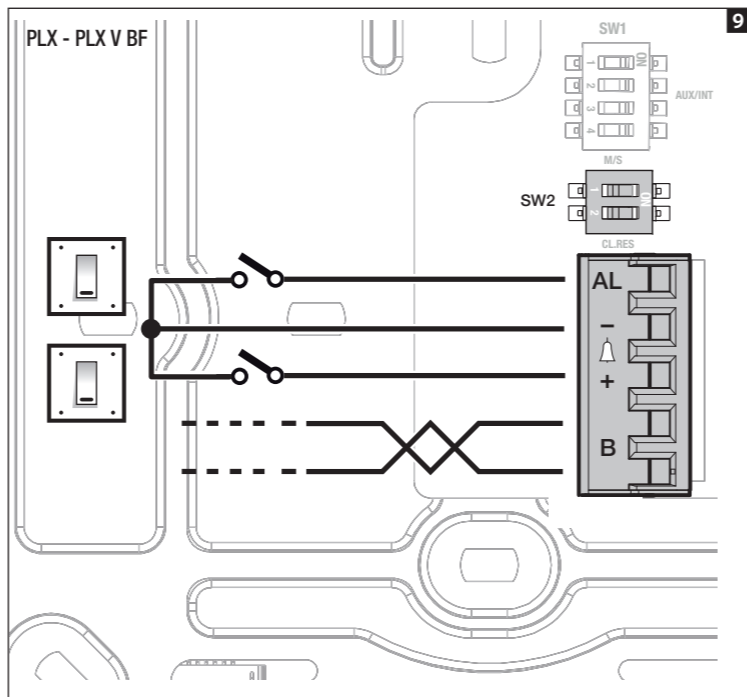
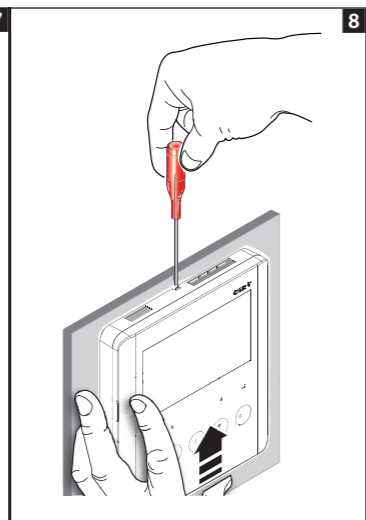
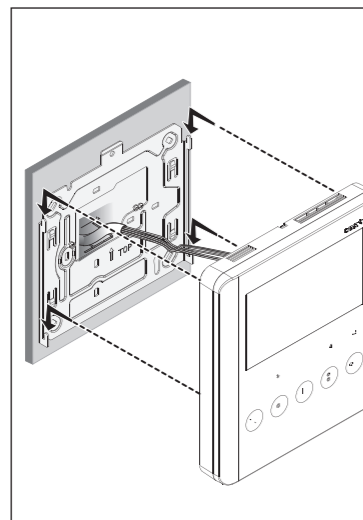
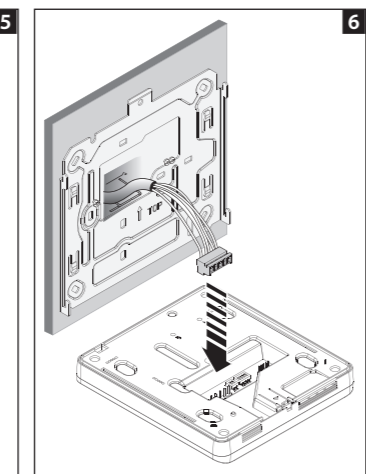
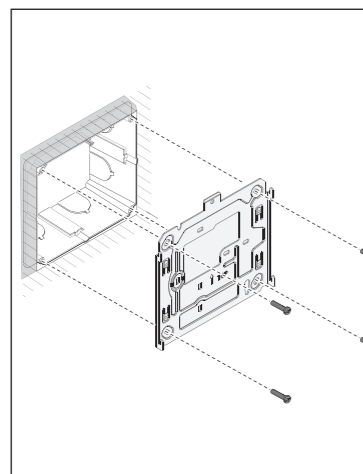
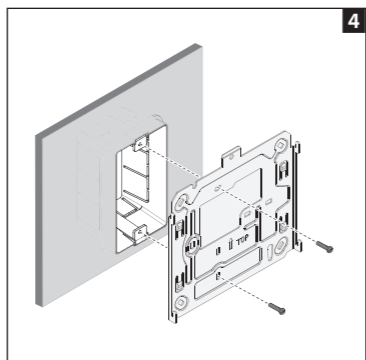
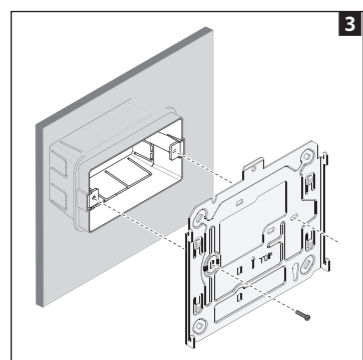
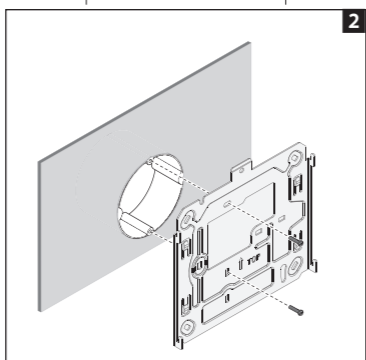
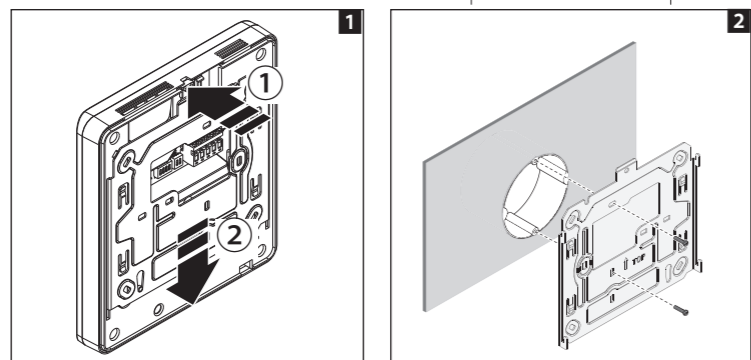
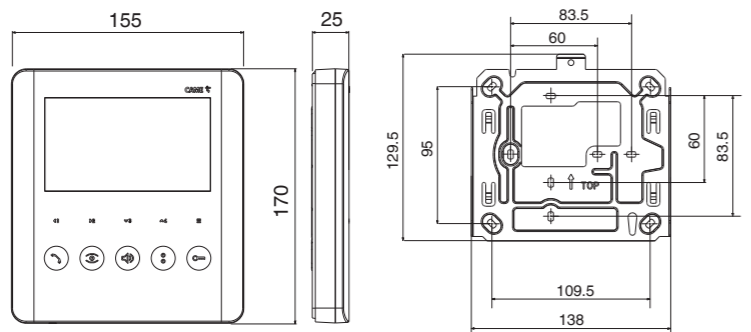


PLX V - PLX V BF



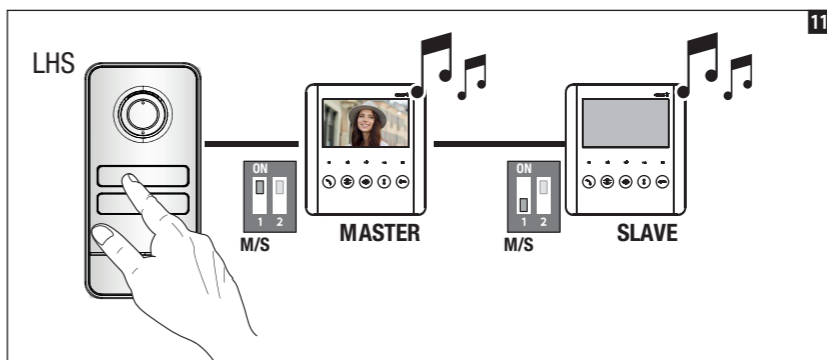
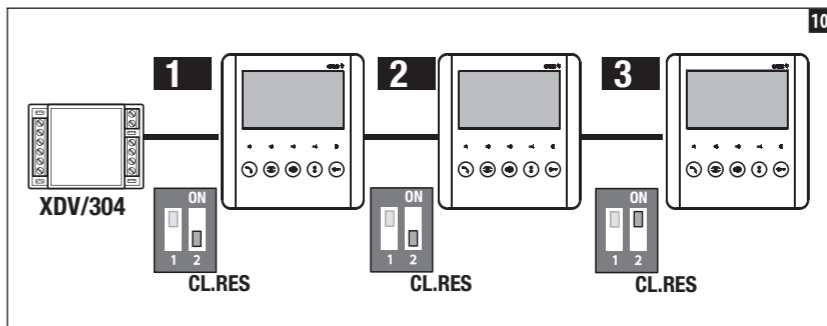
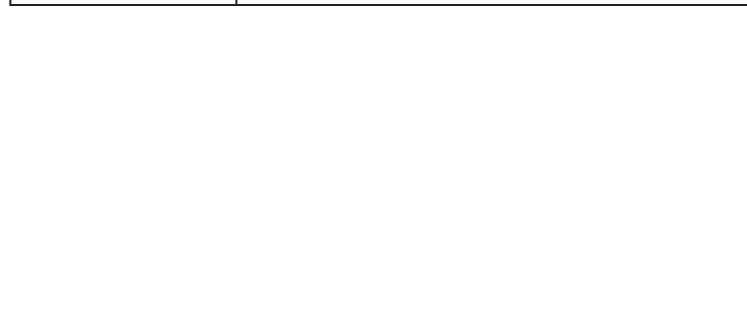
- IT Italiano
- EN English
- FR Français
- RU Русский

CAME S.P.A.
Via Martiri Della Libertà, 15
31030 - Dosson di Casier
Treviso - Italy
tel. (+39) 0422 4940
fax. (+39) 0422 4941
info@came.com
www.came.com

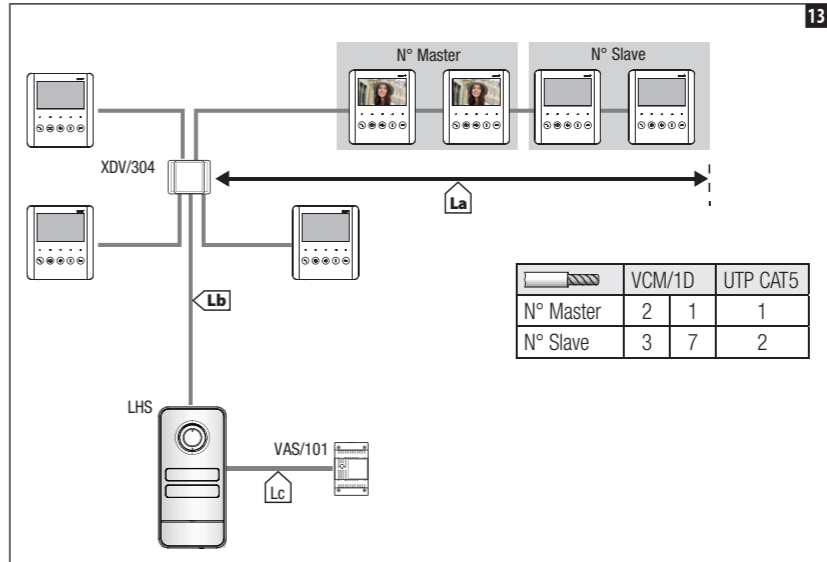


| | VCM/1D | UTP CAT5 |
|-----------|-----------|----------|
| N° Master | 3 2 1 2 1 | |
| N° Slave | 5 6 7 3 7 | |

| | VCM/1D | VCM/2D | UTP/CAT 5 | 2x2,5mm ² |
|------------------------|--------|--------|-----------|----------------------|
| La+Lb | ≤100 m | - | ≤60 m | - |
| L1, L2, L3 | - | ≤100 m | - | - |
| L1+L2+ L3 | - | ≤300 m | - | - |
| La + Lb + L1(L2, L3) | ≤150 m | | | |
| La + Lb + L1 + L2 + L3 | ≤600 m | | | |



| SW1-1 | SW1-2 | SW1-3 | SW1-4 | AUX |
|-----------|-----------|-----------|-------------|---------|
| OFF-INT | OFF-INT | OFF-INT | OFF-INT | ON |
| ON-AUX | ON-AUX | ON-AUX | ON-AUX | 1 2 3 4 |
| ←1 | →2 | ↓3 | ↑4 | |
| INT 1 (4) | INT 2 (5) | INT 3 (6) | INT 1-3/4-6 | |
| AUX 1 | AUX 3 | AUX 4 | AUX 5 | |



| | VCM/1D | VCM/2D | UTP/CAT 5 | 2x1mm ² | 2x2,5mm ² |
|----------|--------|--------|-----------|--------------------|----------------------|
| La+Lb | ≤100 m | - | ≤100 m | - | - |
| Lc | - | - | - | ≤25 m | ≤60 m |
| La+Lb+Lc | ≤100 m | | | | |

