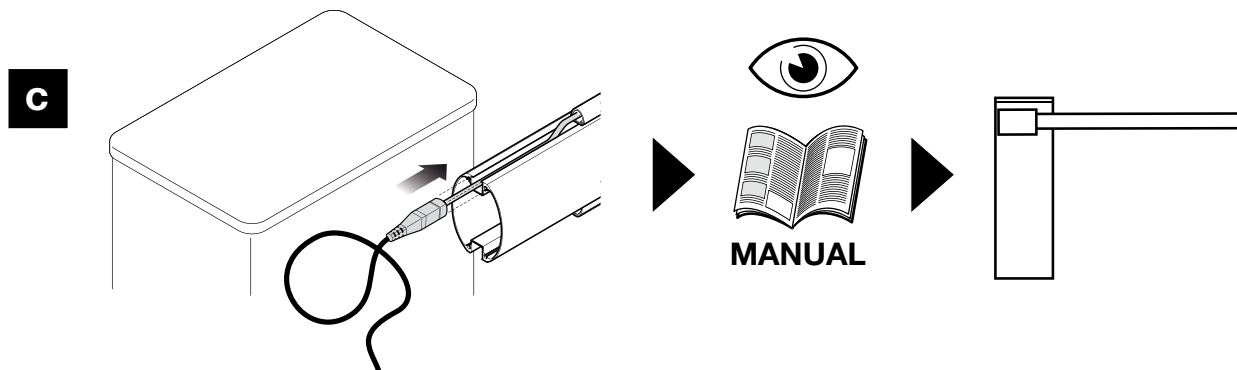
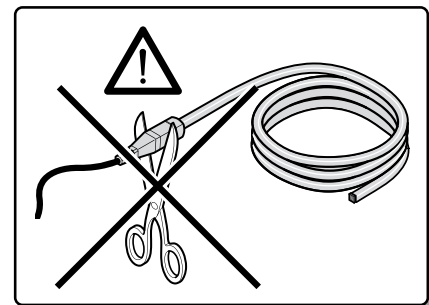
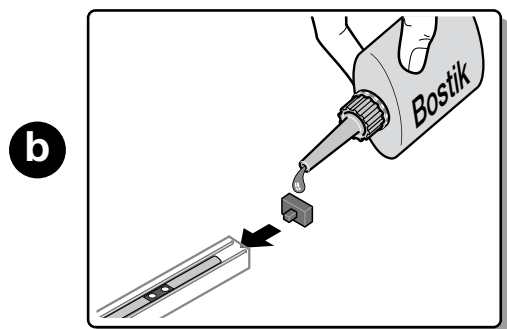
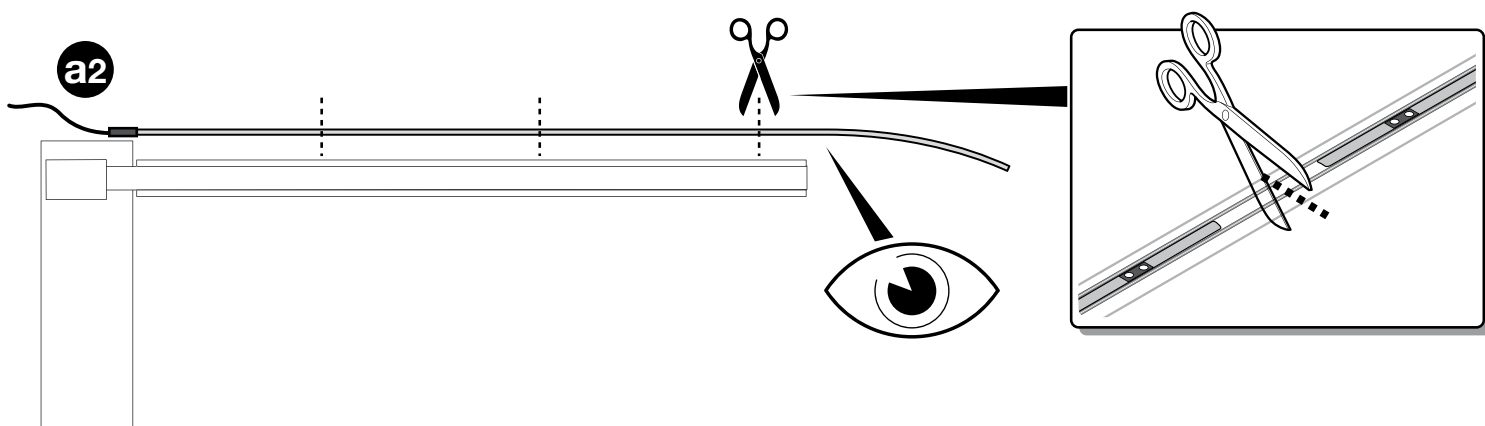
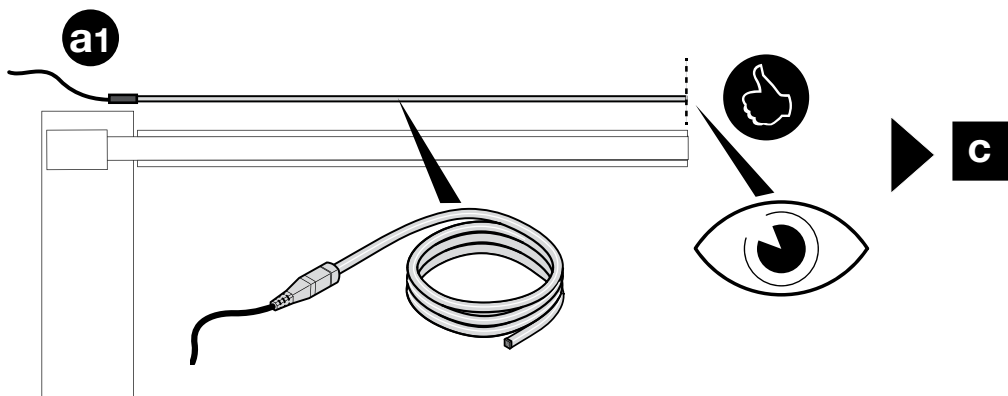








# XBA4 - XBA6 - XBA18

ISO412A00MM\_22-09-2015

Nice



15 - 35 V $\equiv$	BLACK -  RED +	~10 mA / 1 m	 -30° ÷ + 70°C	IP 66		  
--------------------	---	--------------	---	-------	---	---