

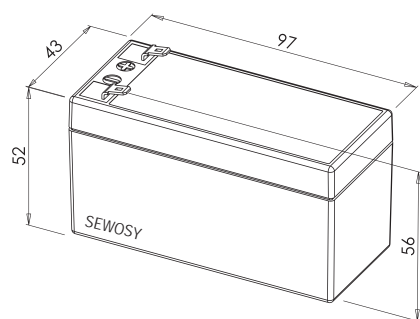
ACCUS

12V DC

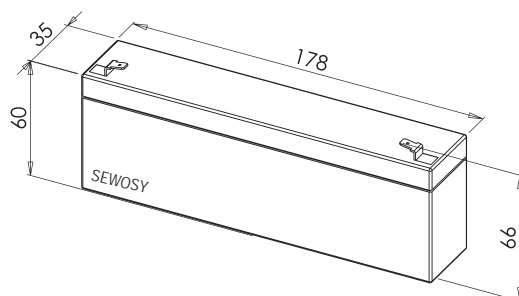


| | | | |
|----------|----------------------|----------|---------|
| AC1.3-12 | Accu 12V DC / 1,3 Ah | G 111041 | 0,56 kg |
| AC2.4-12 | Accu 12V DC / 2.4 Ah | G 111042 | 0,9 kg |
| AC7-12 | Accu 12V DC / 7 Ah | G 113003 | 2,12 kg |
| AC18-12 | Accu 12V DC / 18 Ah | G 111045 | 5,3 kg |
| AC26-12 | Accu 12V DC / 26 Ah | G 111046 | 8 kg |
| AC40-12 | Accu 12V DC / 40 Ah | G 111047 | 13 kg |

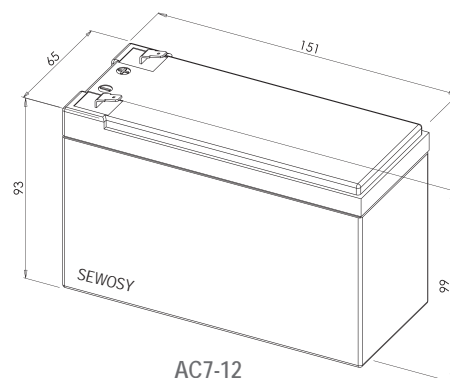
Code douanier
850710



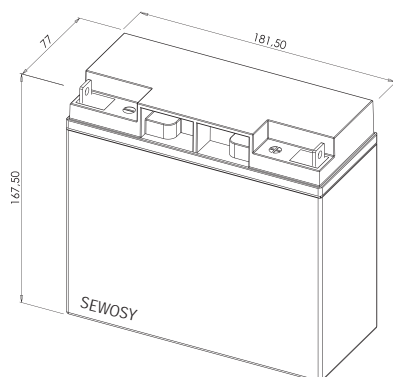
AC1.3-12



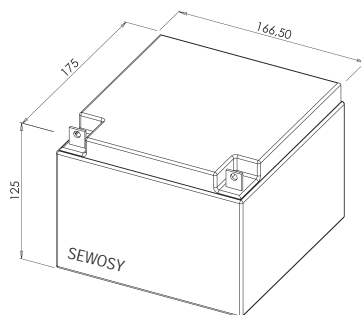
AC2.4-12



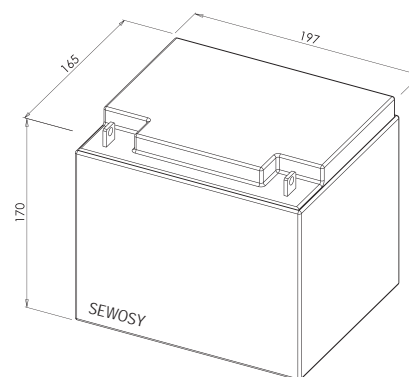
AC7-12



AC18-12



AC26-12



AC40-12

