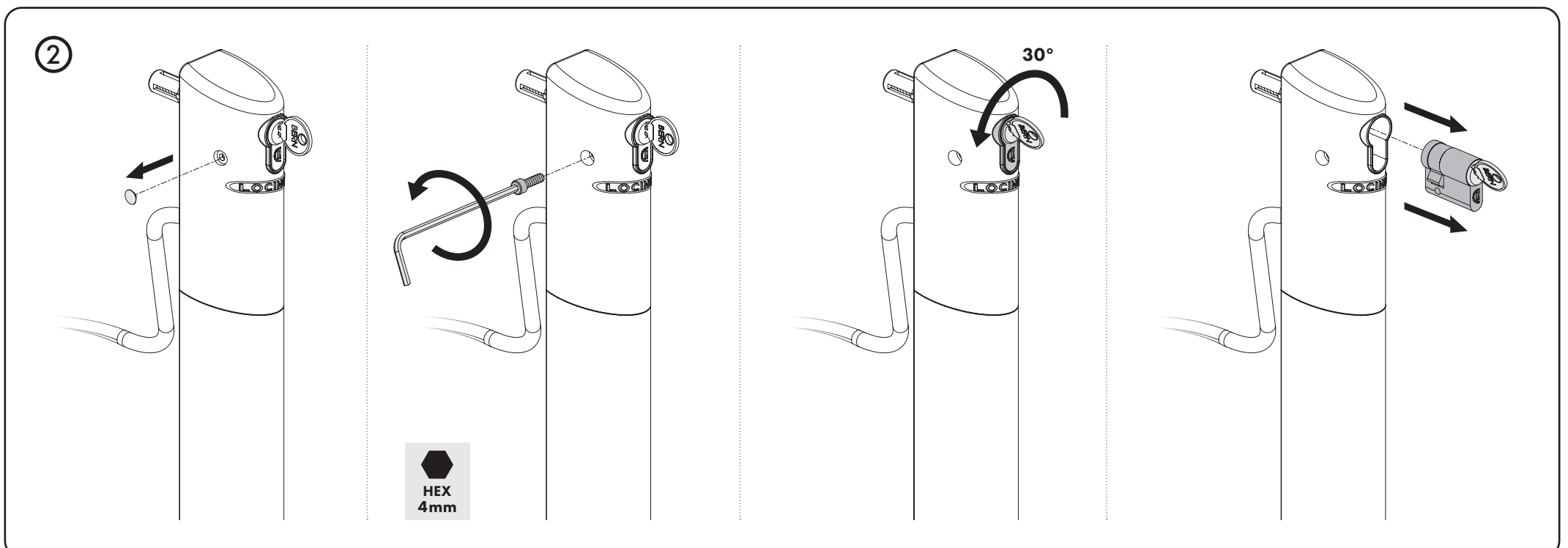
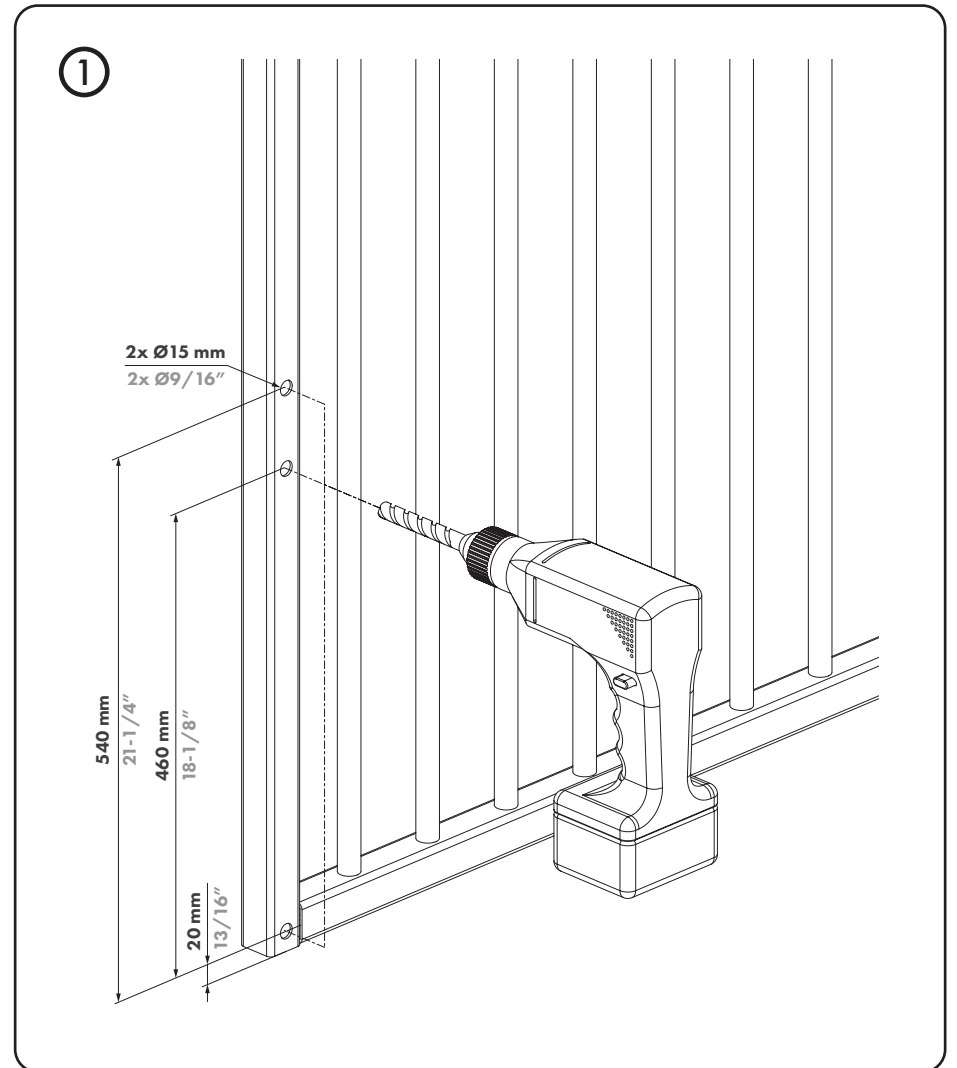
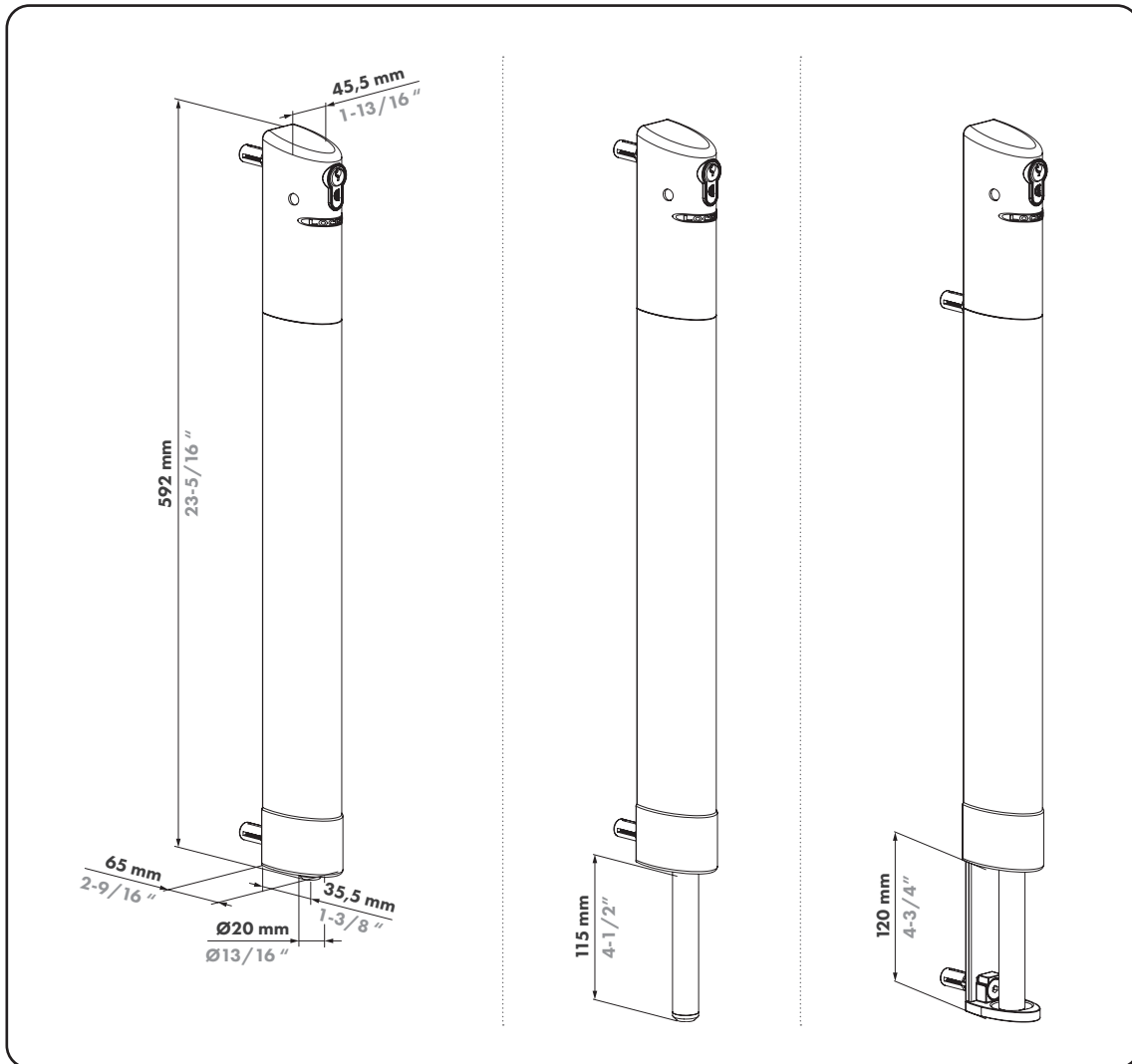
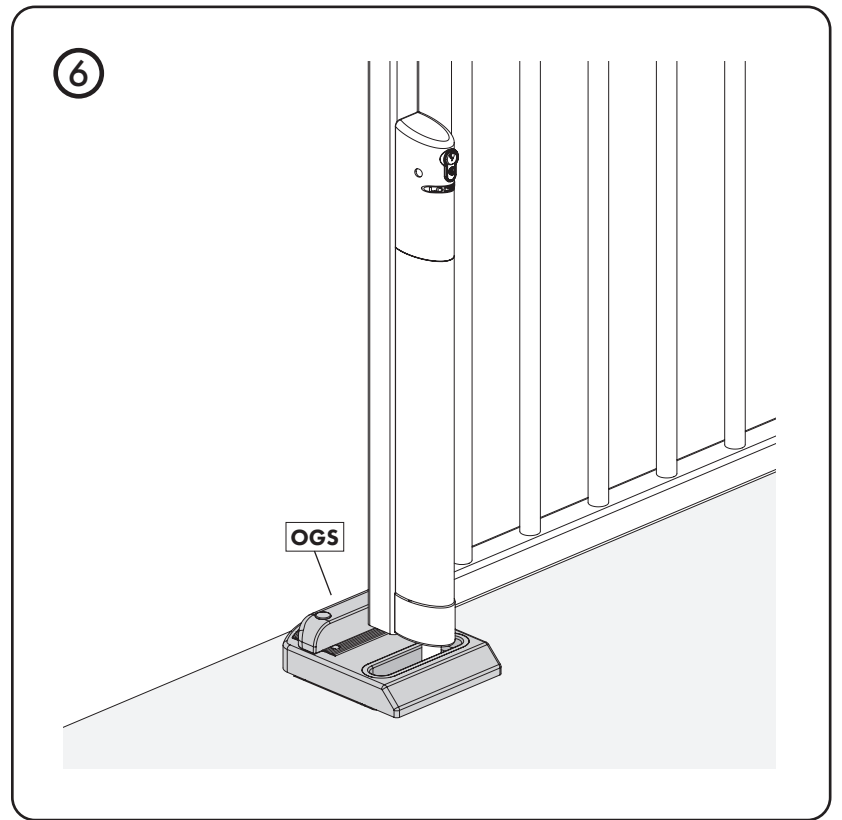
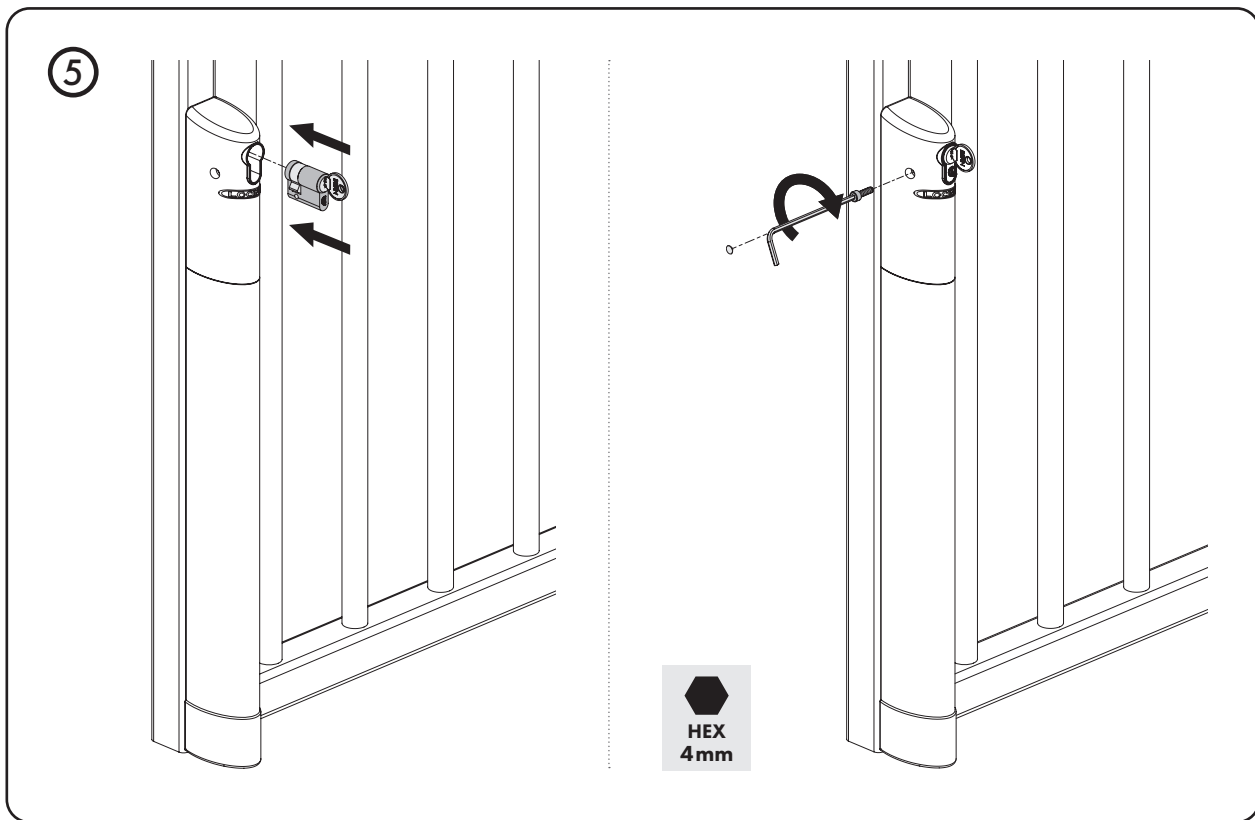
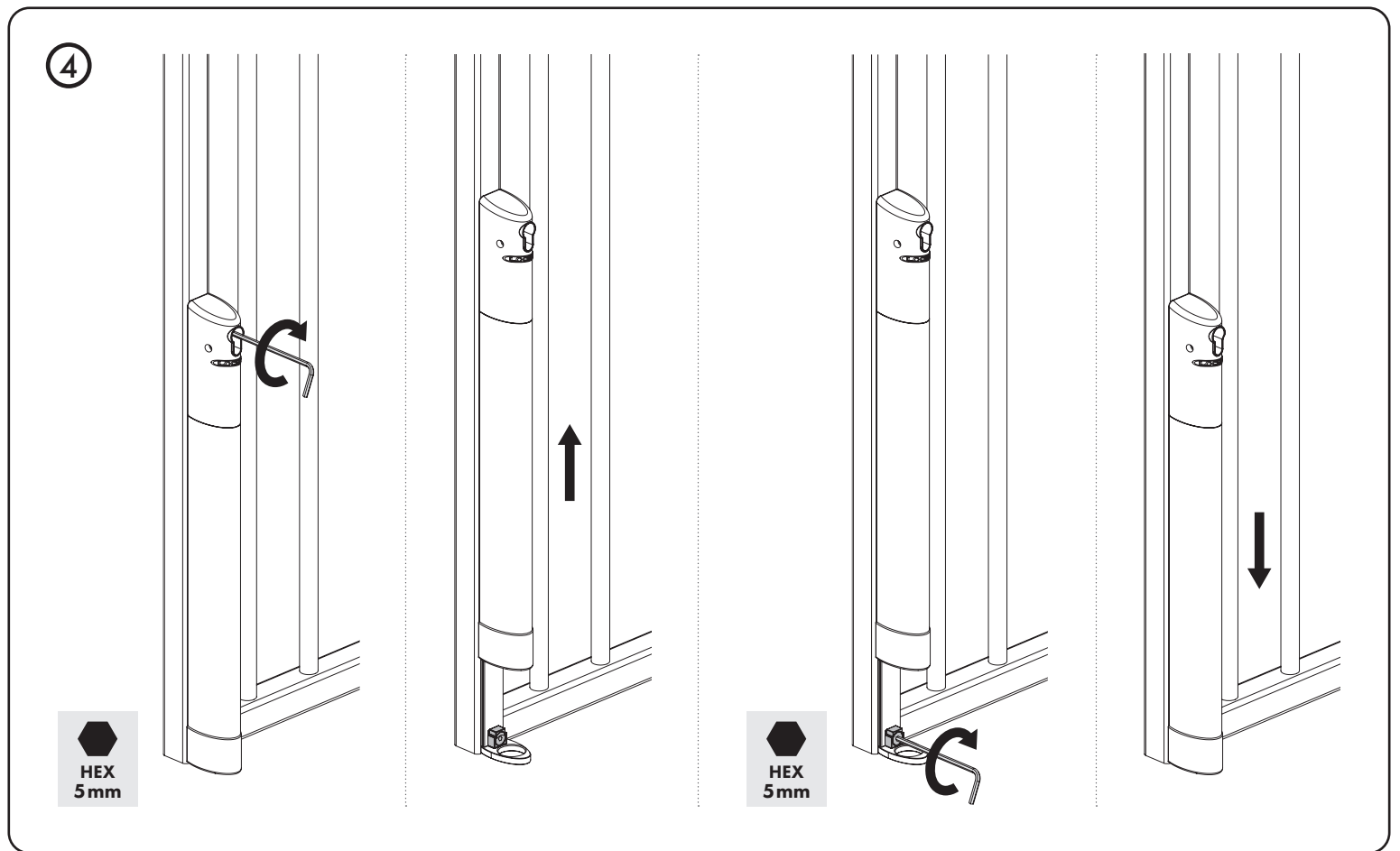
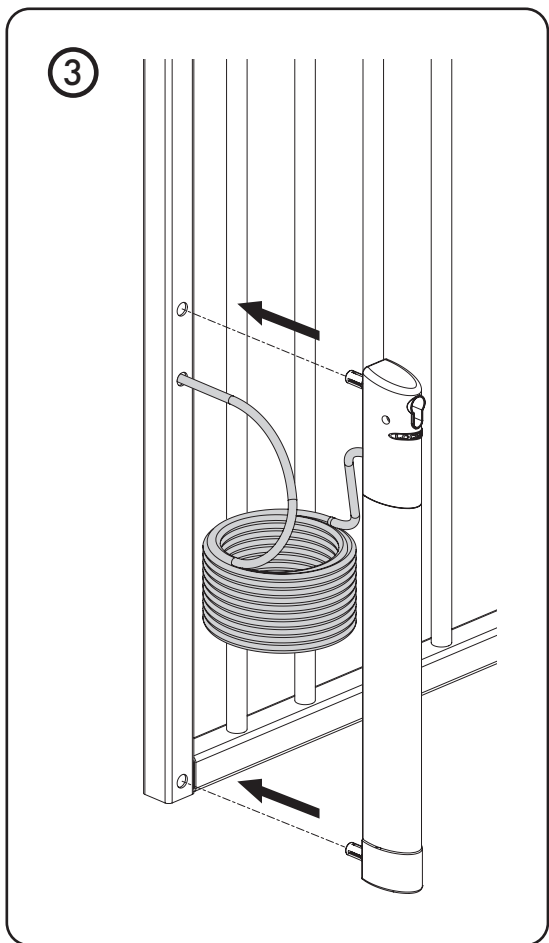


VOLTAGE	24V DC (polarity secured)
POWER CONSUMPTION	25 W
POWER CONSUMPTION AT REST	0,2 W
INSULATION CLASS	□

LOCINOX HQ	LOCINOX USA
LIVE CHAT www.locinox.com	LIVE CHAT www.locinoxusa.com
+32 56 77 27 66	877- LOCINOX
help@locinox.com	helpusa@locinox.com
www.locinox.com/electradrop	www.locinoxusa.com/electradrop





7

1	Brown	Plus-pole of 24V DC power supply (+)
2	Grey	Warning light (flasher) coming from the relay
3	Blue	Nul-pole of 0V DC power supply (-)
Control signal		Connecting parallel over the warning light of the gate

RELAY COIL VOLTAGE MUST MATCH VOLTAGE OF THE SYSTEMS WARNING LIGHT. RELAY SWITCHING VOLTAGE SHOULD SUPPORT 24V DC OR HIGHER.

pictures@locinox.com

SUCCESSFUL INSTALLATION?
Please send us your pictures & videos

SUCCESVOLLE INSTALLATIE?
Stuur gerust uw foto's & video's door

INSTALLATION RÉUSSITE?
Veuillez nous envoyer vos photos & vidéos

ERFOLGREICHE INSTALLATION?
Bitte senden Sie uns Ihre Bilder & Videos

INSTALACION EXITOSA?
Por favor envíenos sus fotos y videos

UDANA INSTALACJA?
Prześlij nam swoje zdjęcia i filmy

УСПЕШНАЯ УСТАНОВКА?
Пожалуйста, отправьте нам свой фотографии и видео

Let's make it better together

Doc. Nr.: MANU-000440

Locinox nv • Mannebeekstraat 21 • 8790 Waregem • Belgium
Locinox LLC • 460 Windy Point Drive • Glendale Heights - IL 60139 • USA

MANU-000440